

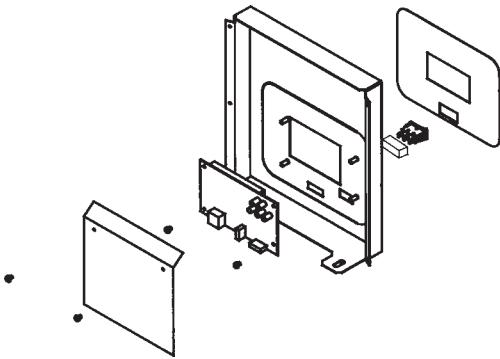


PO Box 1597, 500 Princeton Road
Johnson City, TN 37605
Phone: 1-800-456-9805
www.americanwaterheater.com

COMMERCIAL GAS SERVICE PARTS LIST

MODELS:
AHCG/HCG-60T120 through AHCG/HCG-100T250

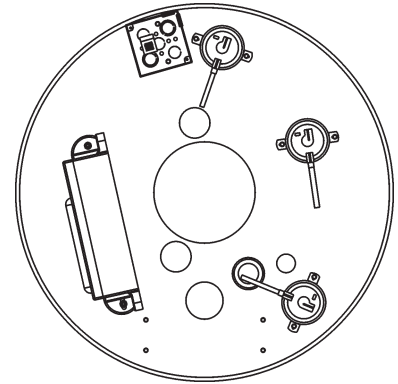
DISPLAY CONTROL ASSEMBLY
See Page 2



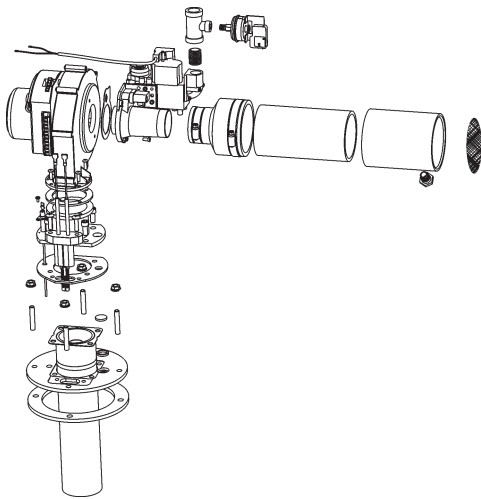
**AHCG/HCG-60T120 through
AHCG/HCG-100T250**
See Page 2



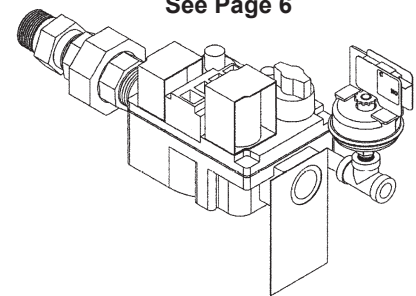
INNER COVER CONTROL ASSEMBLY
See Page 3



BLOWER/BURNER ASSEMBLY
See Page 4 & 5



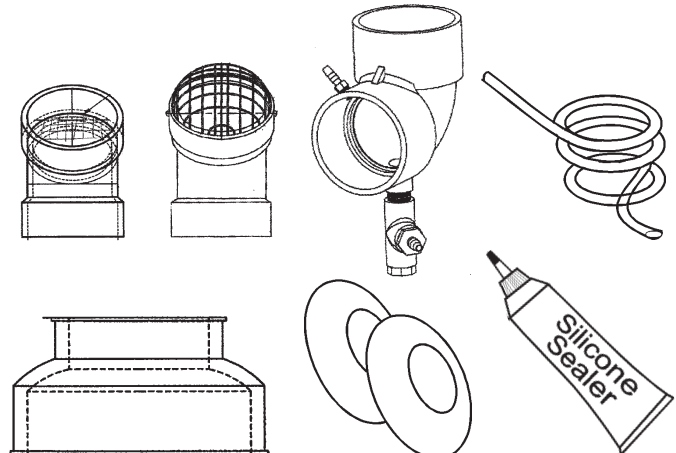
GAS VALVE
See Page 6



ELECTRONIC ANODE
See Page 8



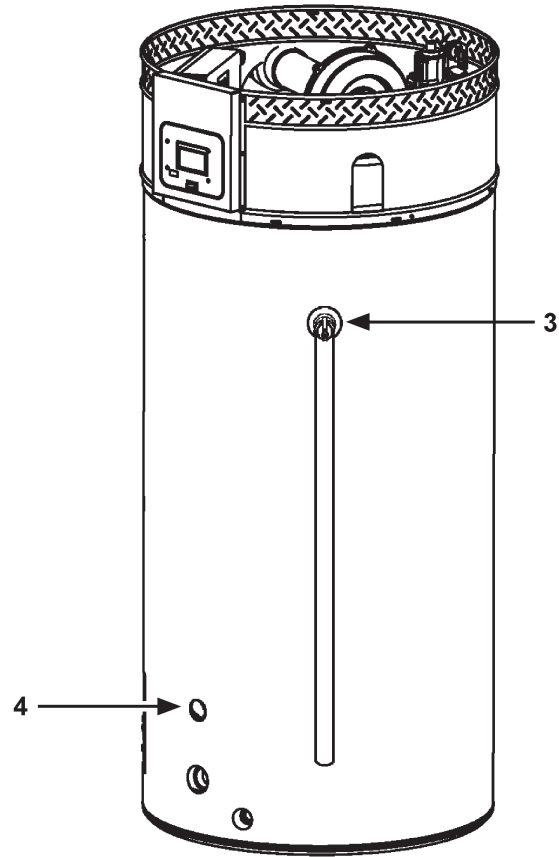
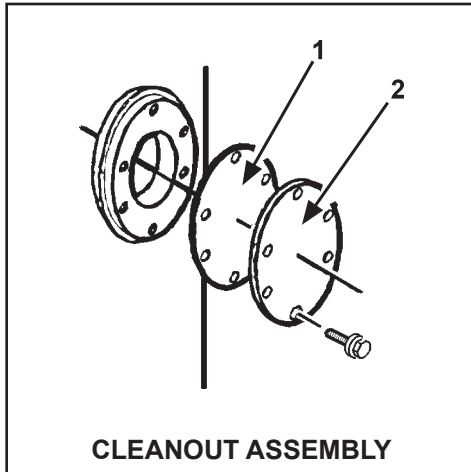
EXHAUST ELBOW ASSEMBLY - VENT KIT ASSEMBLY
See Page 7



CLEANOUT ASSEMBLY/TEMPERATURE & PRESSURE VALVE

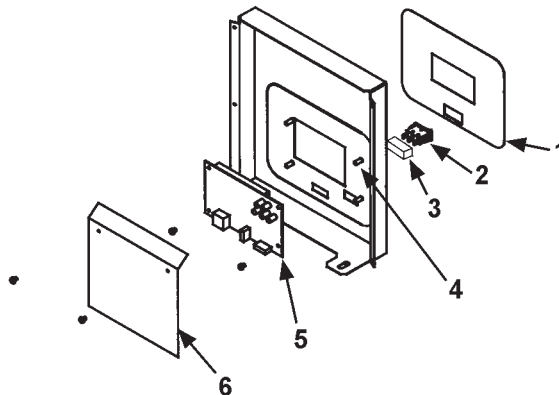
Item	Description	AHCG/HCG-60T120	AHCG/HCG-100T150	AHCG/HCG-100T199	AHCG/HCG-100T250
1	Cleanout Gasket.....	9004099015	9004099015	9004099015	9004099015
2	Cleanout Plate.....	9004098005	9004098005	9004098005	9004098005
3	T & P Valve.....	9005903205	9005903205	9005903205	9005903205
4	Lower Probe.....	9006242015	9006242015	9006242015	9006242015

Standard hardware items may be purchased locally.



DISPLAY CONTROL ASSEMBLY

Item	Description	AHCG/HCG-60T100	AHCG/HCG-100T150	AHCG/HCG-100T199	AHCG/HCG-100T250
1	HCG Display Overlay	198068-000	198068-000	198068-000	198068-000
2	On/Off Switch	192699-000	192699-000	192699-000	192699-000
3	Switch Wire Connection	197758-000	197758-000	197758-000	197758-000
4	Display Panel	197777-000	197777-000	197777-000	197777-000
5	User Interface Module - UIM	9006240005	9006240005	9006240005	9006240005
6	Splatter Shield	197763-000	197763-000	197763-000	197763-000



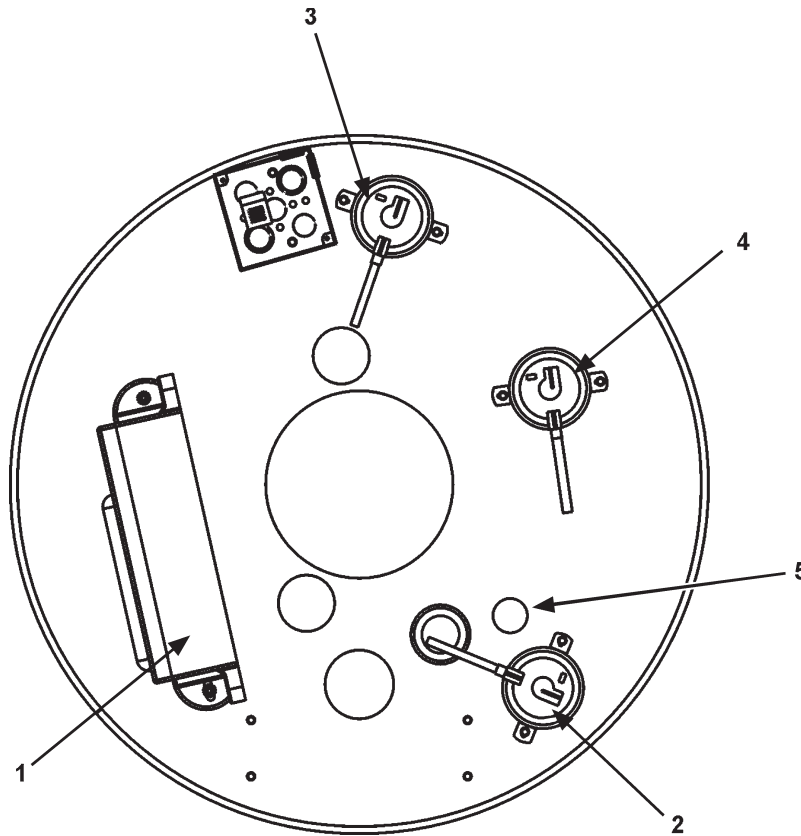
INNER COVER CONTROL ASSEMBLY - AHCG/HCG-60T120 & 100T150

Item	Description	AHCG/HCG-60T120		AHCG/HCG-100T150	
		-3N (Nat)	-3P (Prop)	-3N (Nat)	-3P (Prop)
1	Controller	9006838005.....	9006842005.....	9006839005.....	9006843005
2	Switch-prover	9006280015.....	9006280015.....	9006280015.....	9006280015
3	Switch-inlet.....	9006288015.....	9006281015.....	9006288015.....	9006281015
4	Switch-blocked outlet	9006287015.....	9006287015.....	9006289015.....	9006287015
5	Upper Probe	9004238215.....	9004238215.....	9004238215.....	9004238215

INNER COVER CONTROL ASSEMBLY - AHCG/HCG-100T199 & 100T250

Item	Description	AHCG/HCG-100T199		AHCG/HCG-100T250	
		-3N (Nat)	-3P (Prop)	-3N (Nat)	-3P (Prop)
1	Controller	9006840005.....	9006844005.....	9006841005.....	9006845005
2	Switch-prover	9006280015.....	9006280015.....	9006280015.....	9006280015
3	Switch-inlet.....	9006288015.....	9006281015.....	9006281015.....	9006281015
4	Switch-blocked outlet	9006289015.....	9006282015.....	9006282015.....	9006282015
5	Upper Probe	9004238215.....	9004238215.....	9004238215.....	9004238215

Standard hardware items may be purchased locally.

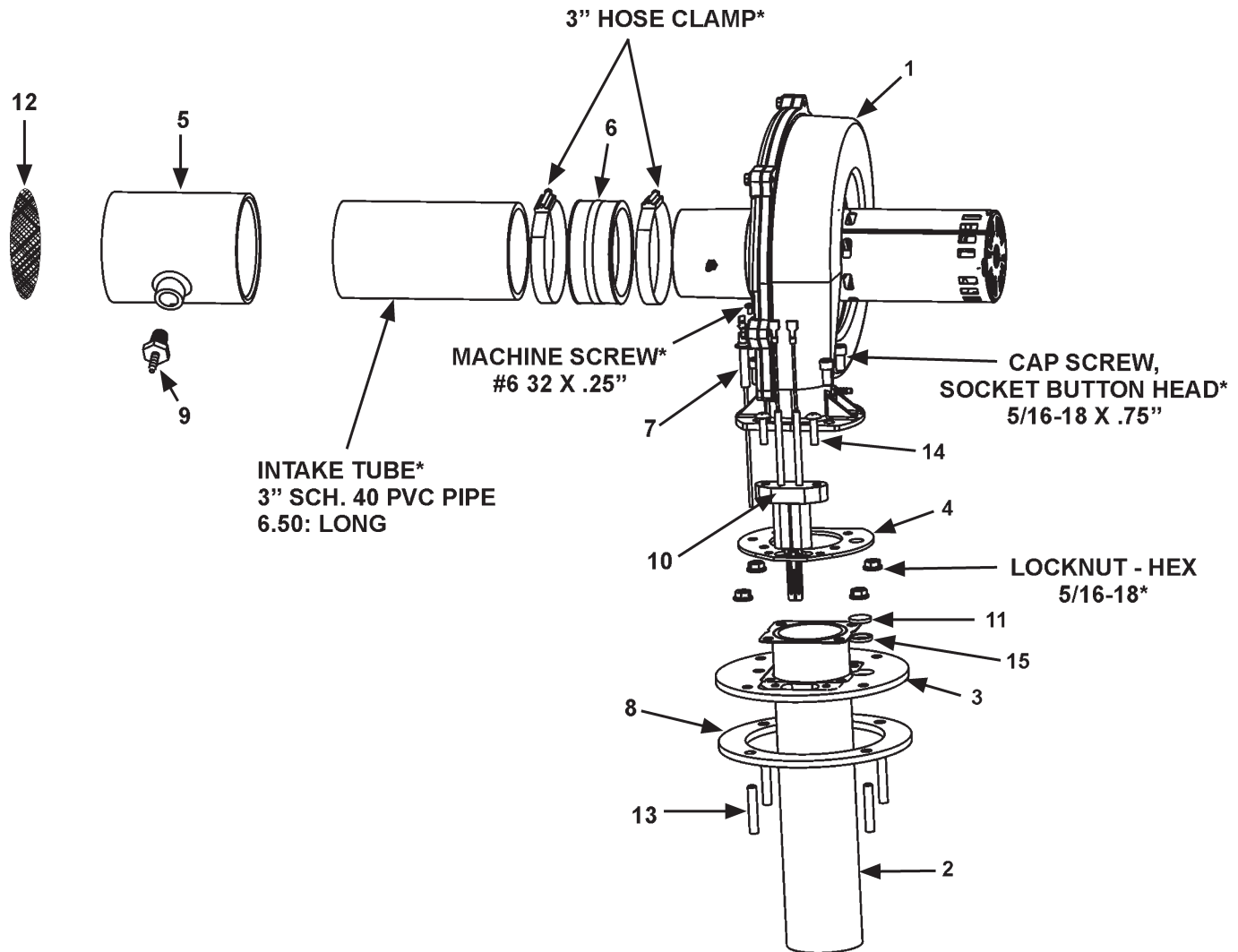


BURNER/BLOWER ASSEMBLY - AHCG/HCG-60T120 & 100T150

AHCG/HCG-60T120

AHCG/HCG-100T150

Item	Description	AHCG/HCG-60T120		AHCG/HCG-100T150	
		-3N (Nat)	-3P (Prop)	-3N (Nat)	-3P (Prop)
1	Blower	9006272005.....	9006272005.....	9006273005.....	9006273005.....
2	Burner.....	9006275005.....	9006276005.....	9006277005.....	9006278005.....
3	Burner Flange.....	197256-000.....	197256-000.....	197256-000.....	197256-000.....
4	Burner Gasket.....	197257-000.....	197257-000.....	197257-000.....	197257-000.....
5	Condensate Tee	181865-000.....	181865-000.....	181865-000.....	181865-000.....
6	Coupling-Power Vent.....	9006107205.....	9006107205.....	9006107205.....	9006107205.....
7	Flame Sensor	9006106205.....	9006106205.....	9006106205.....	9006106205.....
8	Flange Gasket.....	194817-000.....	194817-000.....	194817-000.....	194817-000.....
9	Hose Barb 1/2" x 1/4"	181863-000.....	181863-000.....	181863-000.....	181863-000.....
10	Igniter	9006101205.....	9006101205.....	9006101205.....	9006101205.....
11	Observation Window	9006102215.....	9006102215.....	9006102215.....	9006102215.....
12	Screen Wire.....	9006027015.....	9006027015.....	9006027015.....	9006027015.....
13	Stud 5-16-18 x 1 3/4"	196881-000.....	196881-000.....	196881-000.....	196881-000.....
14	Truss Hd Machine Screw 1/4-20 x1.00".....	194816-000.....	194816-000.....	194816-000.....	194816-000.....
15	Viewport Gasket.....	9006103215.....	9006103215.....	9006103215.....	9006103215.....

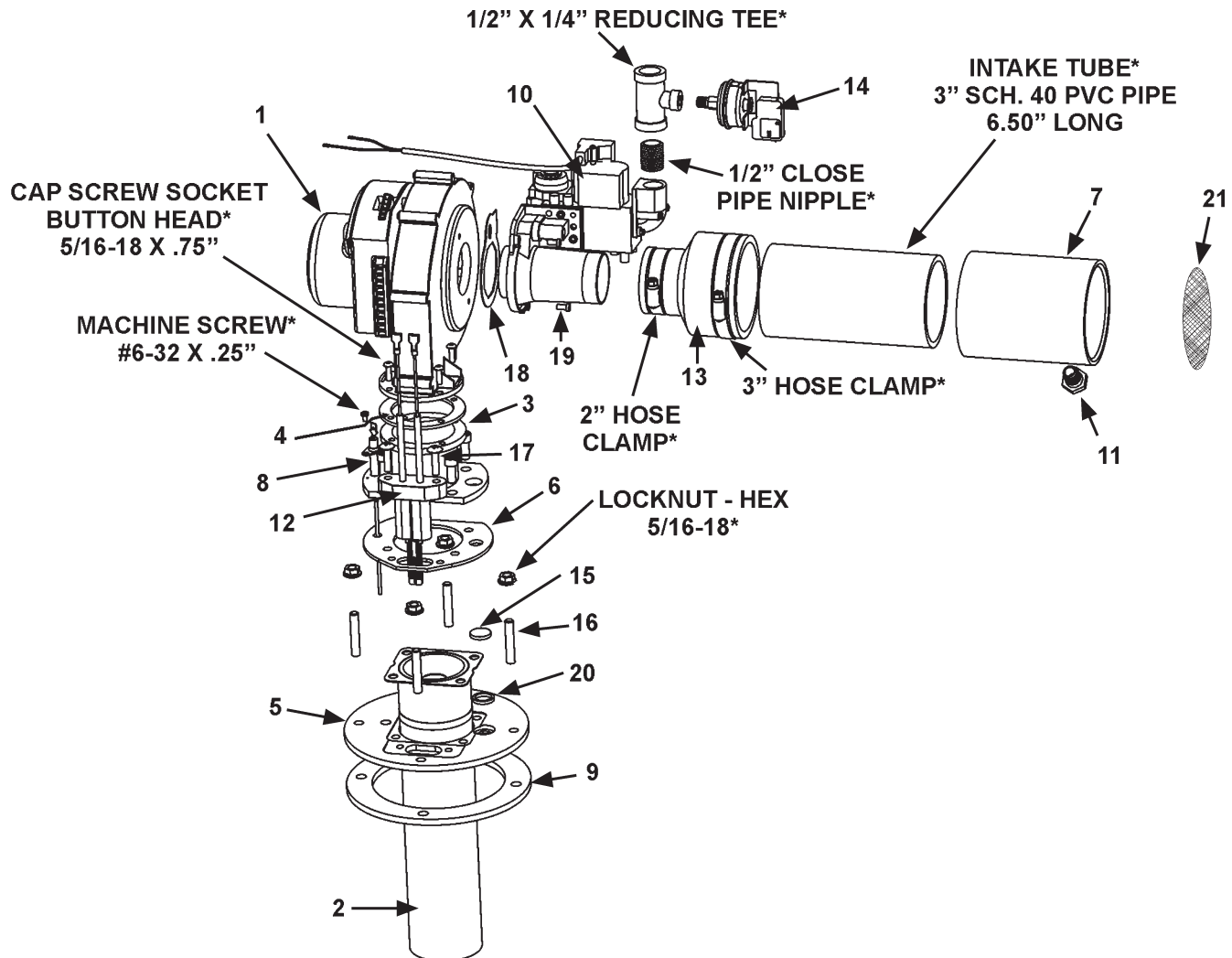


BURNER/BLOWER ASSEMBLY - AHCG/HCG-100T199 & 100T250

AHCG/HCG-100T199 & 100T250

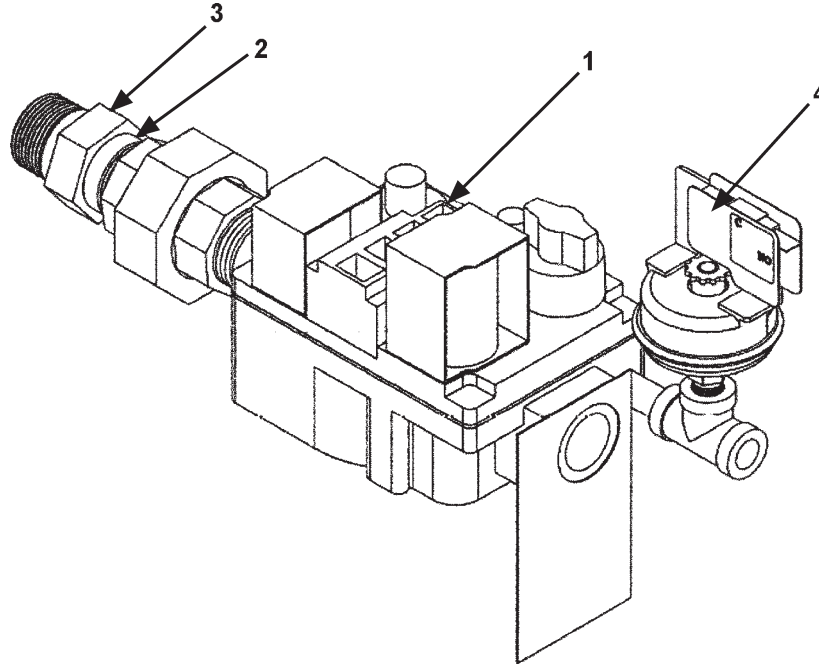
AHCG/HCG-100T199 & 100T250

Item	Description	-3N (Nat)	-3P (Prop)
1	Blower Assembly	9006274005	9006274005
2	Burner	9006279005	9006279005
3	Burner - Adapter	197607-000	197607-000
4	Burner - Gasket A	197618-000	197618-000
5	Burner Flange	197611-000	197611-000
6	Burner - Gasket B	197257-000	197257-000
7	Condensate Tee	181865-000	181865-000
8	Flame Sensor	9006106205	9006106205
9	Flange - Gasket	194817-000	194817-000
10	Gas Valve - Venturi Assembly	9006285005	9006286005
11	Hose Barb	181863-000	181863-000
12	Igniter	9006101205	9006101205
13	Intake Connector	197604-000	197604-000
14	Low Gas Switch	9006255015	9006256015
15	Observation Window	9006102215	9006102215
16	Stud 5/16-18 x 1 3/4"	196881-000	196881-000
17	Truss Hd Machine Screw 1/4-20 x 1.00	194816-000	194816-000
18	Venturi Gasket	197789-000	197789-000
19	Venturi Mounting Screw	197790-000	197790-000
20	Viewport Gasket	9006103215	9006103215
21	Wire Screen	9006027015	9006027015



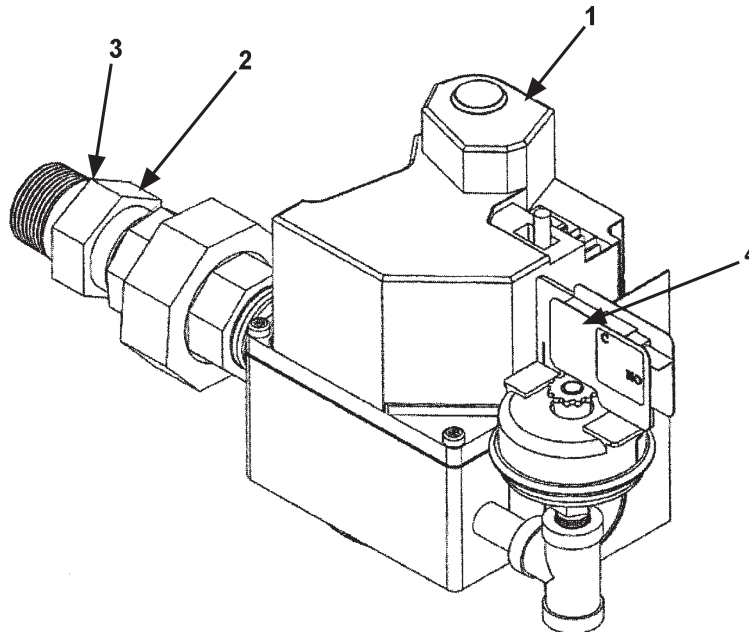
GAS VALVE ASSEMBLY - AHCG/HCG-60T120

Item	Description	AHCG/HCG-60T120	
		-3N (Nat)	-3P (Prop)
1	Gas Valve	9004535205.....	9004536205
2	Orifice	9006259015.....	9006257015
3	Orifice Holder	9006094215.....	9006094215
4	Switch - Low Gas Pressure.....	9006256015.....	9006255015



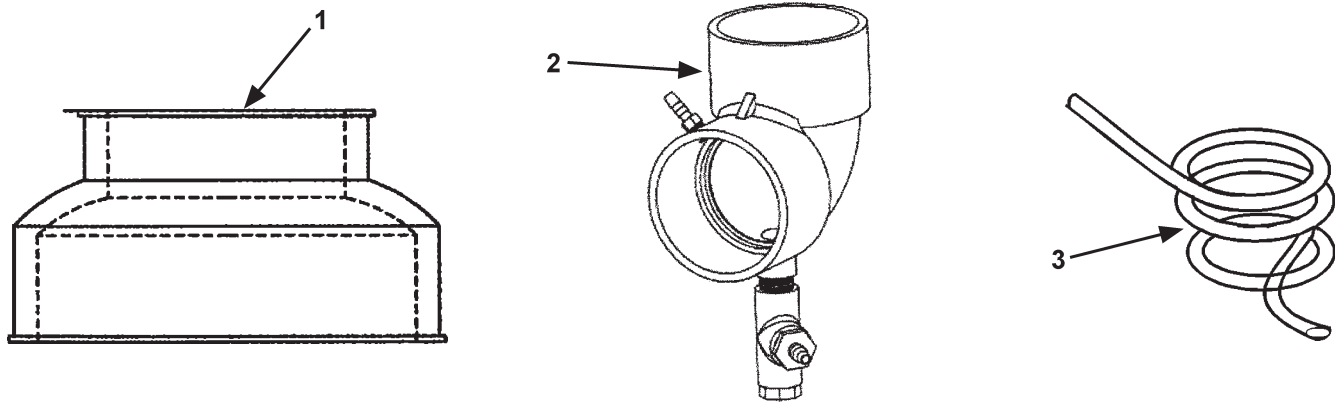
GAS VALVE ASSEMBLY - AHCG/HCG-100T150

Item	Description	AHCG/HCG-100T150	
		-3N (Nat)	-3P (Prop)
1	Gas Valve	9006283005.....	9006284005
2	Orifice	9006260015.....	9006258015
3	Orifice Holder	9006094215.....	9006094215
4	Switch - Low Gas Pressure.....	9006256015.....	9006255015



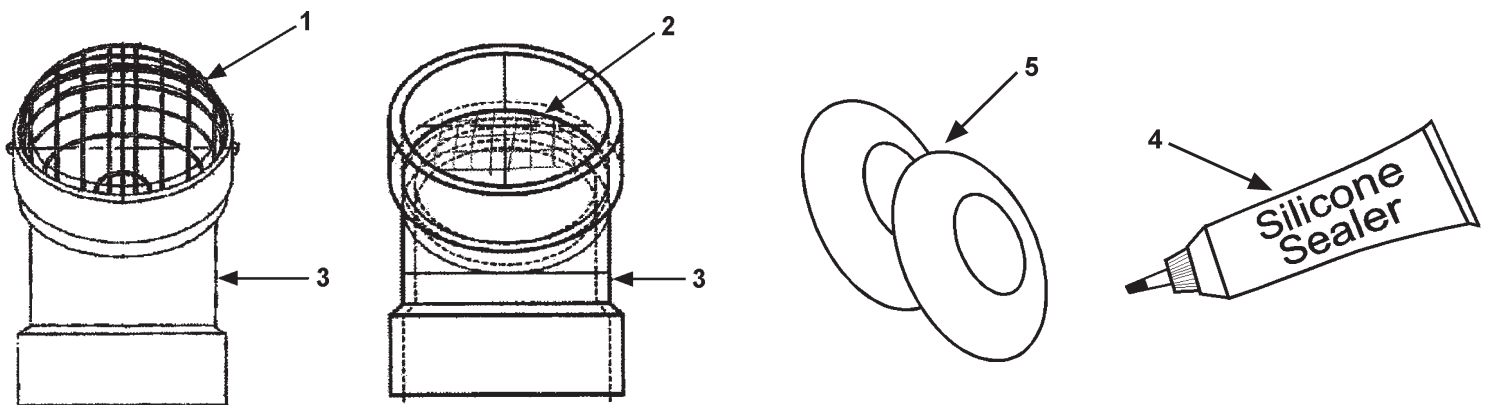
EXHAUST CONNECTOR ASSEMBLY - AHCG/HCG-60T120 through 100T250

Item	Description	AHCG/HCG-60T120 - 100T250
1	Exhaust Connector.....	9006157205
2	Exhaust Elbow Assembly.....	9006261005
3	Tubing - Condensate.....	9006110215



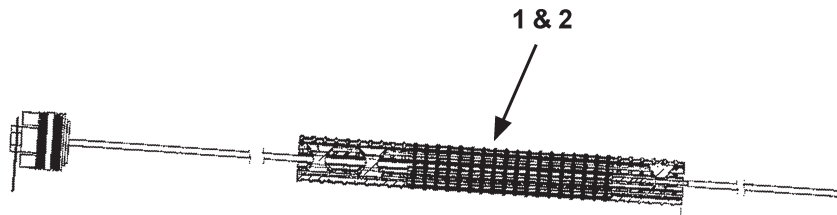
VENT KIT ASSEMBLY - AHCG/HCG-60T120 through 100T250

Item	Description	AHCG/HCG-60T120 - 100T250
1	Exhaust Screen.....	9006027015
2	Intake - Screen Collar Assembly.....	182162-000
3	PVC 45 Degree Elbow.....	181901-000
4	Silicone.....	9004366105
5	Wall Plate.....	9004364105



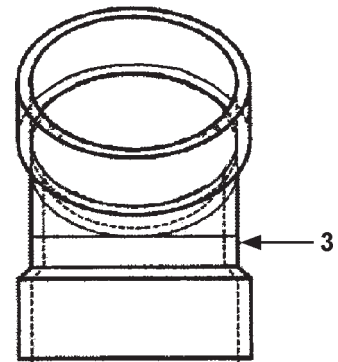
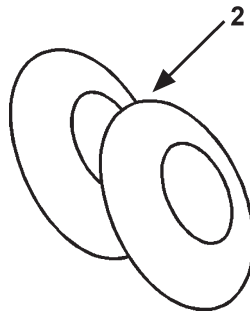
ELECTRIC ANODE ASSEMBLY - AHCG/HCG-60T120 through 100T250

Item	Description	AHCG/HCG-60T120	AHCG/HCG-100T250
1	Electric Anode	-----	9006246005
2	Electric Anode	9006247005	9006247005



OPTIONAL VENT KIT ASSEMBLY FOR 4" VENTING (ALL MODELS) 9006311005

Item	Description	AHCG/HCG-60T120 through 100T250
1	Silicone.....	9004366105
2	Wall Plate	197392-000
3	Vent Terminal Assembly 4"	197804-000



PO Box 1597, 500 Princeton Road
 Johnson City, TN 37605
 Phone: 1-800-456-9805
www.americanwaterheater.com